

**Classic Styling, Aluminum Construction
at Economical Pricing**



TSB-221-630



TSB-223-630



TSB-221-DBL-630



TSB-225-930



TSB-222-930



TSB-225-DBL-930



Forsite is excited to introduce our new line of decorative street name sign trims.

- Rust proof cast aluminum construction
- Variety of sizes and styles available

6" x 24"	9" x 24"
6" x 30"	9" x 30"
6" x 36"	9" x 36"
- Bolt on and clamp mounting options
- Powder Coated Finish
- Easy to install

* Street name sign blades sold separately

www.mailboxesandsigns.com
customerservice@forsite.us
1-855-537-0200
 P.O. Box 51402 • Jacksonville, FL 32240

TSB-221 and TSB-621 Street Name Sign Trims



TSB-221-624 (Clamps to a 3" O/D Pole)
TSB-621-624 (Clamps to a 4" O/D Pole)
 Holds one 24" W x 6" H Sign. Sign Blade Sold Separately.



TSB-221-924 (Clamps to a 3" O/D Pole)
TSB-621-924 (Clamps to a 4" O/D Pole)
 Holds one 24" W x 9" H Sign. Sign Blade Sold Separately.



TSB-221-630 (Clamps to a 3" O/D Pole)
TSB-621-630 (Clamps to a 4" O/D Pole)
 Holds one 30" W x 6" H Sign. Sign Blade Sold Separately.



TSB-221-930 (Clamps to a 3" O/D Pole)
TSB-621-930 (Clamps to a 4" O/D Pole)
 Holds one 30" W x 9" H Sign. Sign Blade Sold Separately.



TSB-221-636 (Clamps to a 3" O/D Pole)
TSB-621-636 (Clamps to a 4" O/D Pole)
 Holds one 36" W x 6" H Sign. Sign Blade Sold Separately.



TSB-221-936 (Clamps to a 3" O/D Pole)
TSB-621-936 (Clamps to a 4" O/D Pole)
 Holds one 36" W x 9" H Sign. Sign Blade Sold Separately.

TOP VIEW



Example shown: TSB-221-636

MOUNTING BRACKET DETAIL



FRAME DETAIL



FORSITE
 MAILBOXES, SIGNS & SITE AMENITIES
 Phone: 1-855-537-0200
 www.forsite.us
 customerservice@forsite.us
 P.O. Box 51402
 Jacksonville, FL 32240

DRAWING NUMBER: 24886-1C
CUSTOMER: N/A
PROJECT: N/A
DRAWING DATE: 08/26/2020
DRAWING DESCRIPTION:
 TSB-221 & TSB-621 Street Name Sign Trims

Forsite is not responsible for checking local municipal codes. Please verify specifications with your municipality before placing an order.

This document contains confidential and proprietary information that is the property of Forsite. It may not be shared, copied or used in whole or in part with third parties without the expressed written consent of Forsite.

FABRICATION TO BEGIN AFTER DRAWING HAS BEEN APPROVED, SIGNED THEN FAXED OR EMAILED TO FORSITE.

Signature: _____ Date: _____

TSB-221-DBL and TSB-621-DBL Double Street Name Sign Trims



TSB-221-DBL-624 (Clamps to a 3" O/D Pole)
TSB-621-DBL-624 (Clamps to a 4" O/D Pole)
Holds two 24" W x 6" H Signs. Sign Blades Sold Separately.



TSB-221-DBL-924 (Clamps to a 3" O/D Pole)
TSB-621-DBL-924 (Clamps to a 4" O/D Pole)
Holds two 24" W x 9" H Signs. Sign Blades Sold Separately.



TSB-221-DBL-630 (Clamps to a 3" O/D Pole)
TSB-621-DBL-630 (Clamps to a 4" O/D Pole)
Holds two 30" W x 6" H Signs. Sign Blades Sold Separately.



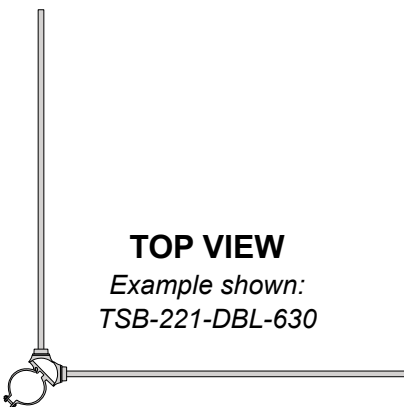
TSB-221-DBL-930 (Clamps to a 3" O/D Pole)
TSB-621-DBL-930 (Clamps to a 4" O/D Pole)
Holds two 30" W x 9" H Signs. Sign Blades Sold Separately.



TSB-221-DBL-636 (Clamps to a 3" O/D Pole)
TSB-621-DBL-636 (Clamps to a 4" O/D Pole)
Holds two 36" W x 6" H Signs. Sign Blades Sold Separately.



TSB-221-DBL-936 (Clamps to a 3" O/D Pole)
TSB-621-DBL-936 (Clamps to a 4" O/D Pole)
Holds two 36" W x 9" H Signs. Sign Blades Sold Separately.



TOP VIEW
*Example shown:
 TSB-221-DBL-630*

**MOUNTING
 BRACKET
 DETAIL**



**FRAME
 DETAIL**



FORSITE
 MAILBOXES, SIGNS & SITE AMENITIES
 Phone: 1-855-537-0200
 www.forsite.us
 customerservice@forsite.us
 P.O. Box 51402
 Jacksonville, FL 32240

DRAWING NUMBER: 24887-1C
CUSTOMER: N/A
PROJECT: N/A
DRAWING DATE: 08/26/2020
DRAWING DESCRIPTION:
 TSB-221-DBL & TSB-621-DBL Street Name Sign Trims

Forsite is not responsible for checking local municipal codes. Please verify specifications with your municipality before placing an order.

This document contains confidential and proprietary information that is the property of Forsite. It may not be shared, copied or used in whole or in part with third parties without the expressed written consent of Forsite.

FABRICATION TO BEGIN AFTER DRAWING HAS BEEN APPROVED, SIGNED THEN FAXED OR EMAILED TO FORSITE.

Signature: _____ **Date:** _____

TSB-222

Street Name Sign Trims



TSB-222-624 (Bolt On Sign Frame - for use with 3" or 4" poles)
Holds one 24" W x 6" H Sign. Sign Blade Sold Separately.



TSB-222-924 (Bolt On Sign Frame - for use with 3" or 4" poles)
Holds one 24" W x 9" H Sign. Sign Blade Sold Separately.



TSB-222-630 (Bolt On Sign Frame - for use with 3" or 4" poles)
Holds one 30" W x 6" H Sign. Sign Blade Sold Separately.



TSB-222-930 (Bolt On Sign Frame - for use with 3" or 4" poles)
Holds one 30" W x 9" H Sign. Sign Blade Sold Separately.



TSB-222-636 (Bolt On Sign Frame - for use with 3" or 4" poles)
Holds one 36" W x 6" H Sign. Sign Blade Sold Separately.



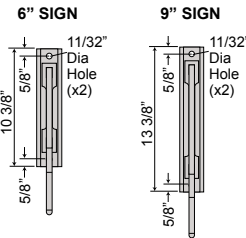
TSB-222-936 (Bolt On Sign Frame - for use with 3" or 4" poles)
Holds one 36" W x 9" H Sign. Sign Blade Sold Separately.

TOP VIEW



Example shown: TSB-222-636

MOUNTING BRACKET DETAIL



FRAME DETAIL



FORSITE
MAILBOXES, SIGNS & SITE AMENITIES
Phone: 1-855-537-0200
www.forsite.us
customerservice@forsite.us
P.O. Box 51402
Jacksonville, FL 32240

DRAWING NUMBER: 24888-1C
CUSTOMER: N/A
PROJECT: N/A
DRAWING DATE: 08/26/2020
DRAWING DESCRIPTION:
TSB-222 Street Name Sign Trims

Forsite is not responsible for checking local municipal codes. Please verify specifications with your municipality before placing an order.

This document contains confidential and proprietary information that is the property of Forsite. It may not be shared, copied or used in whole or in part with third parties without the expressed written consent of Forsite.

FABRICATION TO BEGIN AFTER DRAWING HAS BEEN APPROVED, SIGNED THEN FAXED OR EMAILED TO FORSITE.

Signature: _____ Date: _____

TSB-223

Street Name Sign Trims



TSB-223-624 (Bolt On Sign Frame - for use with 3" or 4" poles)
Holds one 24" W x 6" H Sign. Sign Blade Sold Separately.



TSB-223-924 (Bolt On Sign Frame - for use with 3" or 4" poles)
Holds one 24" W x 9" H Sign. Sign Blade Sold Separately.



TSB-223-630 (Bolt On Sign Frame - for use with 3" or 4" poles)
Holds one 30" W x 6" H Sign. Sign Blade Sold Separately.



TSB-223-930 (Bolt On Sign Frame - for use with 3" or 4" poles)
Holds one 30" W x 9" H Sign. Sign Blade Sold Separately.



TSB-223-636 (Bolt On Sign Frame - for use with 3" or 4" poles)
Holds one 36" W x 6" H Sign. Sign Blade Sold Separately.



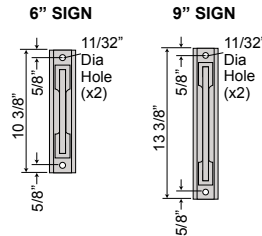
TSB-223-936 (Bolt On Sign Frame - for use with 3" or 4" poles)
Holds one 36" W x 9" H Sign. Sign Blade Sold Separately.

TOP VIEW



Example shown: TSB-223-636

MOUNTING BRACKET DETAIL



FRAME DETAIL



FORSITE
MAILBOXES, SIGNS & SITE AMENITIES
Phone: 1-855-537-0200
www.forsite.us
customerservice@forsite.us
P.O. Box 51402
Jacksonville, FL 32240

DRAWING NUMBER: 24889-1C
CUSTOMER: N/A
PROJECT: N/A
DRAWING DATE: 08/26/2020
DRAWING DESCRIPTION:
TSB-223 Street Name Sign Trims

Forsite is not responsible for checking local municipal codes. Please verify specifications with your municipality before placing an order.

This document contains confidential and proprietary information that is the property of Forsite. It may not be shared, copied or used in whole or in part with third parties without the expressed written consent of Forsite.

FABRICATION TO BEGIN AFTER DRAWING HAS BEEN APPROVED, SIGNED THEN FAXED OR EMAILED TO FORSITE.

Signature: _____ Date: _____

TSB-225 and TSB-625 Street Name Sign Trims



TSB-225-624 (Clamps to a 3" O/D Pole)
TSB-625-624 (Clamps to a 4" O/D Pole)
 Holds one 24" W x 6" H Sign. Sign Blade Sold Separately.



TSB-225-924 (Clamps to a 3" O/D Pole)
TSB-625-924 (Clamps to a 4" O/D Pole)
 Holds one 24" W x 9" H Sign. Sign Blade Sold Separately.



TSB-225-630 (Clamps to a 3" O/D Pole)
TSB-625-630 (Clamps to a 4" O/D Pole)
 Holds one 30" W x 6" H Sign. Sign Blade Sold Separately.



TSB-225-930 (Clamps to a 3" O/D Pole)
TSB-625-930 (Clamps to a 4" O/D Pole)
 Holds one 30" W x 9" H Sign. Sign Blade Sold Separately.



TSB-225-636 (Clamps to a 3" O/D Pole)
TSB-625-636 (Clamps to a 4" O/D Pole)
 Holds one 36" W x 6" H Sign. Sign Blade Sold Separately.



TSB-225-936 (Clamps to a 3" O/D Pole)
TSB-625-936 (Clamps to a 4" O/D Pole)
 Holds one 36" W x 9" H Sign. Sign Blade Sold Separately.



TOP VIEW

Example shown: TSB-225-636

MOUNTING BRACKET DETAIL



FRAME DETAIL



FORSITE
 MAILBOXES, SIGNS & SITE AMENITIES
 Phone: 1-855-537-0200
 www.forsite.us
 customerservice@forsite.us
 P.O. Box 51402
 Jacksonville, FL 32240

DRAWING NUMBER: 24890-1C
CUSTOMER: N/A
PROJECT: N/A
DRAWING DATE: 08/26/2020
DRAWING DESCRIPTION:
 TSB-225 & TSB-625 Street Name Sign Trims

Forsite is not responsible for checking local municipal codes. Please verify specifications with your municipality before placing an order.

This document contains confidential and proprietary information that is the property of Forsite. It may not be shared, copied or used in whole or in part with third parties without the expressed written consent of Forsite.

FABRICATION TO BEGIN AFTER DRAWING HAS BEEN APPROVED, SIGNED THEN FAXED OR EMAILED TO FORSITE.

Signature: _____ Date: _____

TSB-225-DBL and TSB-625-DBL Double Street Name Sign Trims



TSB-225-DBL-624 (Clamps to a 3" O/D Pole)
TSB-625-DBL-624 (Clamps to a 4" O/D Pole)
Holds two 24" W x 6" H Signs. Sign Blades Sold Separately.



TSB-225-DBL-924 (Clamps to a 3" O/D Pole)
TSB-625-DBL-924 (Clamps to a 4" O/D Pole)
Holds two 24" W x 9" H Signs. Sign Blades Sold Separately.



TSB-225-DBL-630 (Clamps to a 3" O/D Pole)
TSB-625-DBL-630 (Clamps to a 4" O/D Pole)
Holds two 30" W x 6" H Signs. Sign Blades Sold Separately.



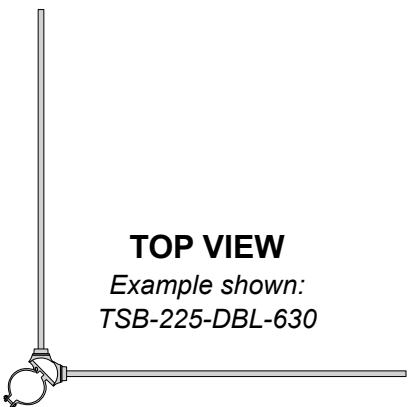
TSB-225-DBL-930 (Clamps to a 3" O/D Pole)
TSB-625-DBL-930 (Clamps to a 4" O/D Pole)
Holds two 30" W x 9" H Signs. Sign Blades Sold Separately.



TSB-225-DBL-636 (Clamps to a 3" O/D Pole)
TSB-625-DBL-636 (Clamps to a 4" O/D Pole)
Holds two 36" W x 6" H Signs. Sign Blades Sold Separately.



TSB-225-DBL-936 (Clamps to a 3" O/D Pole)
TSB-625-DBL-936 (Clamps to a 4" O/D Pole)
Holds two 36" W x 9" H Signs. Sign Blades Sold Separately.



TOP VIEW
*Example shown:
 TSB-225-DBL-630*

**MOUNTING
 BRACKET
 DETAIL**



**FRAME
 DETAIL**



FORSITE
 MAILBOXES, SIGNS & SITE AMENITIES
 Phone: 1-855-537-0200
 www.forsite.us
 customerservice@forsite.us
 P.O. Box 51402
 Jacksonville, FL 32240

DRAWING NUMBER: 24891-1C
CUSTOMER: N/A
PROJECT: N/A
DRAWING DATE: 08/26/2020
DRAWING DESCRIPTION:
 TSB-225-DBL & TSB-625-DBL Street Name Sign Trims

Forsite is not responsible for checking local municipal codes. Please verify specifications with your municipality before placing an order.
 This document contains confidential and proprietary information that is the property of Forsite. It may not be shared, copied or used in whole or in part with third parties without the expressed written consent of Forsite.

FABRICATION TO BEGIN AFTER DRAWING HAS BEEN APPROVED, SIGNED THEN FAXED OR EMAILED TO FORSITE.

Signature: _____ **Date:** _____